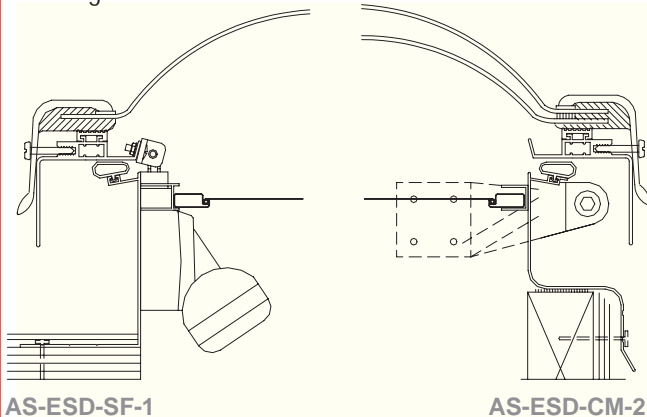


# Bristolite's Standard Skylights

## Therm-o-weld® Electric Openable Skylight Model AS-ESD

Bristolite's Therm-o-weld® fiberglass frame electric openable skylights feature a lifting mechanism and electric remote operation which opens the dome for ventilation. These skylights are available in curb-mount and self-flashing.



AS-ESD-SF-1

AS-ESD-CM-2

Typical Self-Flashing and Curb Mount Detail



**Specifications:** Skylight shall be model No. \_\_\_\_\_ as manufactured by Bristolite Skylights, Santa Ana, Calif. Skylights shall be fully factory assembled consisting of a cast acrylic dome with a CC-2 Classification that shall be fused to its own counterflashing fiberglass skirt through the Therm-o-weld process. The operable frame is attached to a base frame with a pivot hinge. The operable frame is lifted by a lifting mechanism with an electrically-operated mechanism available with a remote switch. The unit base frame shall be 6063-T5 aluminum. All units have insect screens and full perimeter gasketing around the base. The skylight shall be installed either on a 1-1/2" wide curb furnished by others or on its own 4" high self-flashing curb fabricated from aluminum with a 2-3/4" roof flange. All units are to be guaranteed against defective workmanship and materials.

### Standard Features Include:

1. **Curb Mount** (specify by adding **CM** to model description)
2. **Self-Flashing** (specify by adding **SF** to model description)
3. **Four Acrylic Color Choices**
  - \*Medium White Translucent (specify by adding **WTM** to model description)
  - Bronze (specify by adding **BT** to model description)
  - Grey (specify by adding **GT** to model description)
  - Clear Colorless Acrylic (specify by adding **CC** to model description)

\*Medium White is the only White available for the AS (Therm-o-weld Frame) Series.

### Options

1. **Bronze Anodize Base Frame** (specify by adding **BA** to model description.)
2. **White Painted Base Frame** (specify by adding **WP** to model description.)
3. **White Fiberglass Frame** (specify by adding **WGEL** to model description)
4. **Double Dome** (specify by adding **2** to model description.)
5. **Polycarbonate Dome (inner dome only)** (specify by adding **PC** to model description)
6. **Low Profile Domes (selected sizes)** (specify by adding **LP** to model description.)
7. **Pyramid Shaped Dome (selected sizes)** (specify by adding **P** to model description.)
8. **Interior Pleated Shades**

### Model Description

AS-ESD	Therm-o-weld Electric Openable Skylight
SF	4" Self-Flashing Frame
CM	Curb-Mounted
1	Single Non Insulated Dome (Specify Acrylic Color)
2	Double Dome (Specify Acrylic Color)

The 4" base frames are standard on the self-flashing models however 9" and 12" base frames are available as options.

### Available Sizes

Model Number	Inside Curb Opening	Model Number	Inside Curb Opening
<b>Square</b>		<b>Rectangle</b>	
1414-AS-ESD	14 1/4 x 14 1/4"	1422-AS-ESD	14 1/4" x 22 1/4"
1919-AS-ESD	19" x 19"	1446-AS-ESD	14 1/4" x 46 1/4"
2222-AS-ESD	22 1/4" x 22 1/4"	2230-AS-ESD	22 1/4" x 30 1/4"
3030-AS-ESD	30 1/4" x 30 1/4"	2237-AS-ESD	22 1/4" x 37"
3737-AS-ESD	37" x 37"	2246-AS-ESD	22 1/4" x 46 1/4"
4242-AS-ESD	42" x 42"	2272-AS-ESD	22 1/4" x 72"
4646-AS-ESD	46 1/4" x 46 1/4"	2296-AS-ESD	22 1/4" x 96"
4848-AS-ESD	48" x 48"	3037-AS-ESD	30 1/4" x 37"
5555-AS-ESD*	55" x 55"	3046-AS-ESD	30 1/4" x 46 1/4"
7070-AS-ESD*	70 1/4" x 70 1/4"	3069-AS-ESD	30 1/4" x 69 1/2"
7575-AS-ESD*	75" x 75"	3096-AS-ESD	30 1/4" x 96"
8484-AS-ESD*	84" x 84"	3496-AS-ESD	34" x 96"
9292-AS-ESD*	92 1/2" x 92 1/2"	36120-AS-ESD*	36" x 120"
		3746-AS-ESD	37" x 46 1/4"
		3775-AS-ESD	37" x 75"
		3859-AS-ESD	38" x 59"
		4669-AS-ESD	46 1/4" x 69 1/2"
		4689-AS-ESD*	46 1/4" x 89 1/2"
		4896-AS-ESD*	48" x 96"
		48120-AS-ESD*	48" x 120"
		5460-AS-ESD*	54" x 60"

\*Sizes are *only* available in the following acrylic colors: WTM, CC or BT.