



Acrylic Dome

## Model AL

**Frame Material:** Aluminum

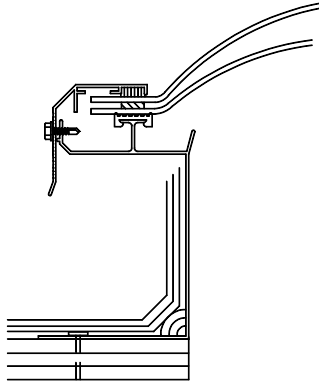
**NFRC:** Certified

**IECC 2015:** Meets without controls climate zone 1, meets with controls climate zones 2-8

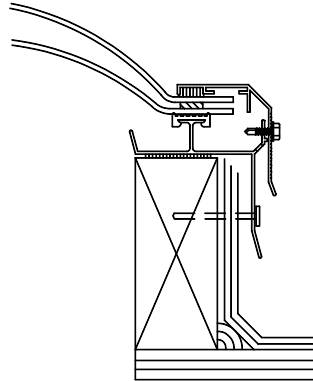
**OSHA:** Meets CFR fall regulations

**AAMA:** WDMA/CSA 101/I.S.2/A440-08 & WDMA/CSA 101/I.S.2/A440-05

### Details:



AL-SF-2



AL-CM-2

### Specifications:

Bristol skylight shall be model No. \_\_\_\_\_ as manufactured by Bristolite Daylighting Systems, Santa Ana, CA. Skylights shall be fully factory assembled consisting of an acrylic dome with a CC-2 classification that is sealed by interior and exterior gaskets to a 6063-T5 heliarc welded aluminum frame. The frame is to have an integral condensation channel to carry moisture to the exterior. The aluminum retaining cap fasteners are to be corrosive resistant. The skylight frame shall be installed either on a 1-1/2" wide curb furnished by others or on its own 4", 9", or 12" high self flashing curb fabricated from aluminum with a 2-3/4" roof nailing flange.

### Sizes:

Model Number	Inside Curb Dimension	Model Number	Inside Curb Dimension	Model Number	Inside Curb Dimension	Model Number	Inside Curb Dimension
1414-AL	14 1/4" x 14 1/4"	6060-AL*	60" x 60"	3037-AL	30 1/4" x 37"	3859-AL	38" x 59"
1919-AL	19" x 19"	7070-AL*	70 1/4" x 70 1/4"	3046-AL	30 1/4" x 46 1/4"	4669-AL	46 1/4" x 69 1/2"
2222-AL	22 1/4" x 22 1/4"	7575-AL*	75" x 75"	3069-AL	30 1/4" x 69 1/2"	4689-AL	46 1/4" x 89 1/2"
3030-AL	30 1/4" x 30 1/4"	8484-AL*	84" x 84"	3096-AL	30 1/4" x 96"	4884-AL	48" x 84"
3737-AL	37" x 37"	9292-AL*	92 1/2" x 92 1/2"	3496-AL	34" x 96"	4896-AL	48" x 96"
4242-AL	42" x 42"			3696-AL	36" x 96"	48120-AL**	48" x 120"
4646-AL	46 1/4" x 46 1/4"	2272-AL	22 1/4" x 72"	36120-AL**	36" x 120"	5460-AL*	54" x 60"
4848-AL	48" x 48"	2296-AL	22 1/4" x 96"	3746-AL	37" x 46 1/4"	6072-AL*	60" x 72"
5555-AL*	55" x 55"	2496-AL	24" x 96"	3775-AL	37" x 75"		Call for additional sizes

\*Sizes are **only** available in the following acrylic colors: WTM, CC, BT or GT. \*\*Sizes are **only** available in the following acrylic colors: WTM, CC or BT  
Solar Heat Gain Coefficient = .31, U Factor = .71, Visible Light Transmission = 53% (Typical for CM double glazed units)

### Features:

1. Curb Mounted (**CM**) or Self Flashing (**SF**)
2. Five Acrylic Color Choices: High White (**WTH**), Medium White (**WTM**), Bronze (**BT**), Grey (**GT**) or Clear (**CC**)  
Add highlighted suffixes to model number where applicable:  
i.e. **7070-AL-CM-2-CC-WTM-WP**

### Options:

1. Insulating Double Domes (**2**) or Single Dome (**1**)
2. Pyramid (**P**) or Double Hip (**DH**) Shaped Dome (selected sizes)
3. Low Profile Dome (**LP**) (selected sizes)
4. Frame Finish - Bronze Anodize (**BA**), Clear Anodize (**CA**), White Painted (**WP**) or Mill Finish (**MF**)
5. Self Flashing Bases of 9" or 12" (**9** or **12**)
6. EPDM Curb Seal Tape (**CMT**)

### Accessories: See PDS (Product Data Sheets) for these Items

1. Gladiator
  - a. Structural Curb (**SC**)
  - b. Security Grills (**SG**)
  - c. Safety Screens (**SSCRN**)
  - d. External Safety Cages (**SCAGE**)
2. Quickkit (Installation Kits)
  - a. Stainless Steel (**QKSS**)
  - b. Zinc Plated (**QKZP**)